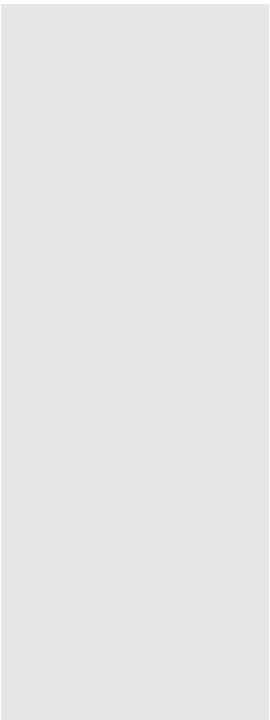




1. 400A ;

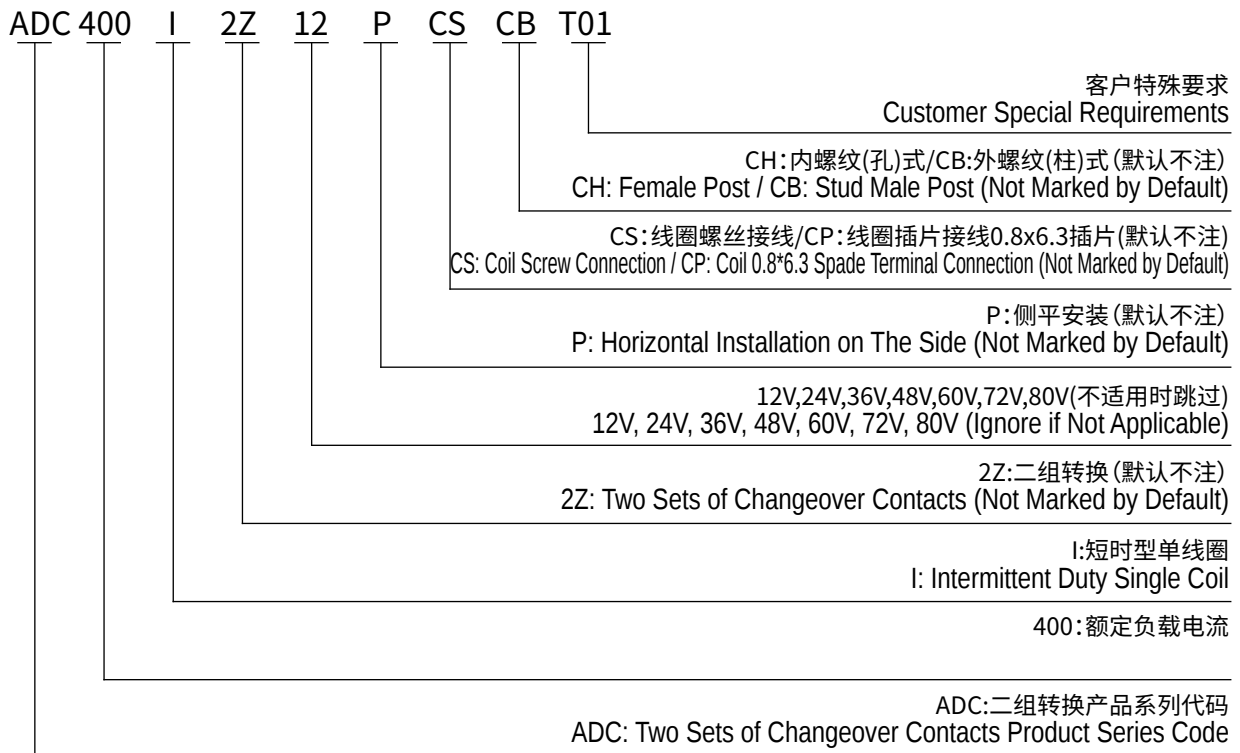
2. ;



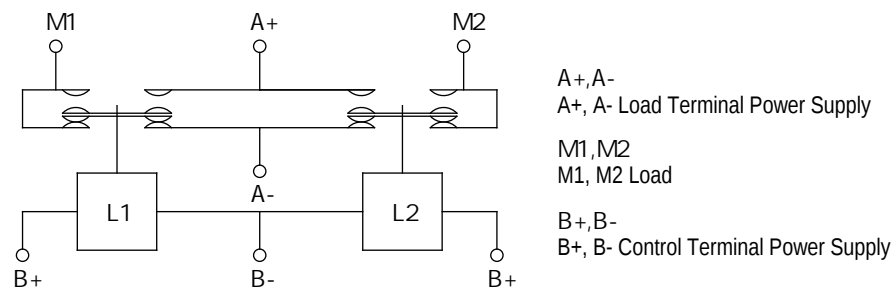
## ADC400I ADC400I Coil Parameters

Coil Voltage	Pickup Voltage	Dropout Voltage		
12V	70% U <sub>s</sub>	5% -40% U <sub>s</sub>	6 ± 10%	24W± 10%
24V	70% U <sub>s</sub>	5% -40% U <sub>s</sub>	24 ± 10%	24W± 10%
36V	70% U <sub>s</sub>	5% -40% U <sub>s</sub>	54 ± 10%	24W± 10%
48V	70% U <sub>s</sub>	5% -40% U <sub>s</sub>	96 ± 10%	24W± 10%
60V	70% U <sub>s</sub>	5% -40% U <sub>s</sub>	150 ± 10%	24W± 10%
72V	70% U <sub>s</sub>	5% -40% U <sub>s</sub>	216 ± 10%	24W± 10%

### Model Coding



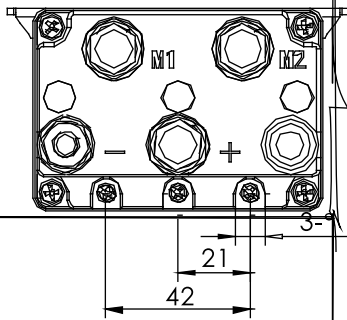
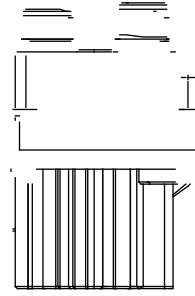
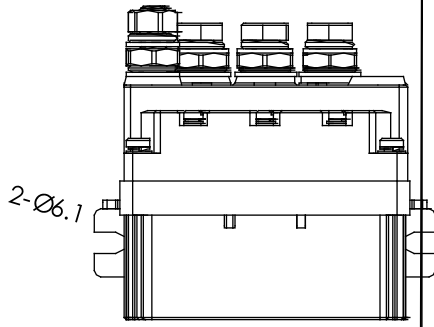
### Wiring Diagram



ADC400I  
ADC400I Wiring Diagram

# Outline Installation Dimension Drawing

ADC400I



4-M8  
Load Wiring 4-M8  
8-10N.m  
Torque 8-10N.m

3-M3  
Coil Wiring 3-M3  
0.5-0.8N.m  
Torque 0.5-0.8N.m

ADC400ICP

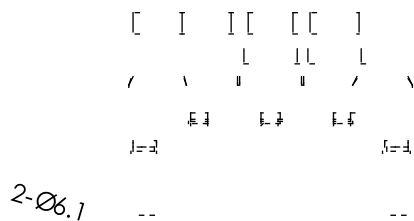
2-Ø6.1

4-M8  
Load Wiring 4-M8  
8-10N.m  
Torque 8-10N.m

3-0.8x6.3  
Coil Wiring 3-0.8\*6.3

# Outline Installation Dimension Drawing

## ADC400ICB



4-M8  
Load Wiring 4-M8  
8-10N.m  
Torque 8-10N.m

3-M3  
Coil Wiring 3-M3  
0.5-0.8N.m  
Torque 0.5-0.8N.m

## ADC400ICPCB

2-Ø6.1

4-M8  
Load Wiring 4-M8  
8-10N.m  
Torque 8-10N.m

3-0.8x6.3  
Coil Wiring 3-0.8\*6.3

## Outline Installation Dimension Drawing

4-M8

3-0.8x6.3  
Coil Wiring 3-0.8\*6.3

## Usage Cautions

1.

This document is only for customer selection reference, AOKAI has tried the best to ensure the accuracy of the information in this document. Product specifications and parameters may be changed due to product improvement etc., they may be inconsistent because of not updated in time. For the specific parameters and performance of each product, please refer to the samples provided by AOKAI and the corresponding signed and controlled specification.

2.

Regarding the application of this product, please select the mat ]

Mo