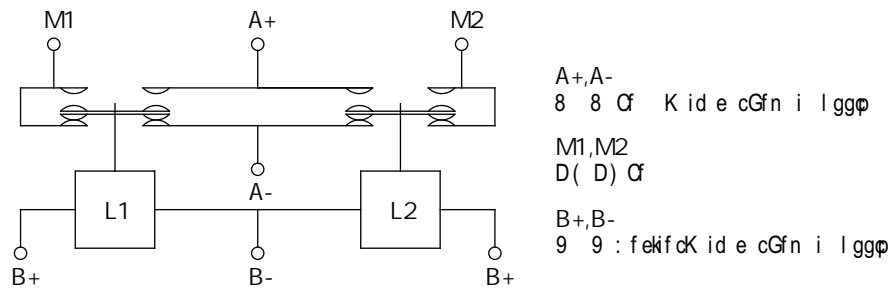
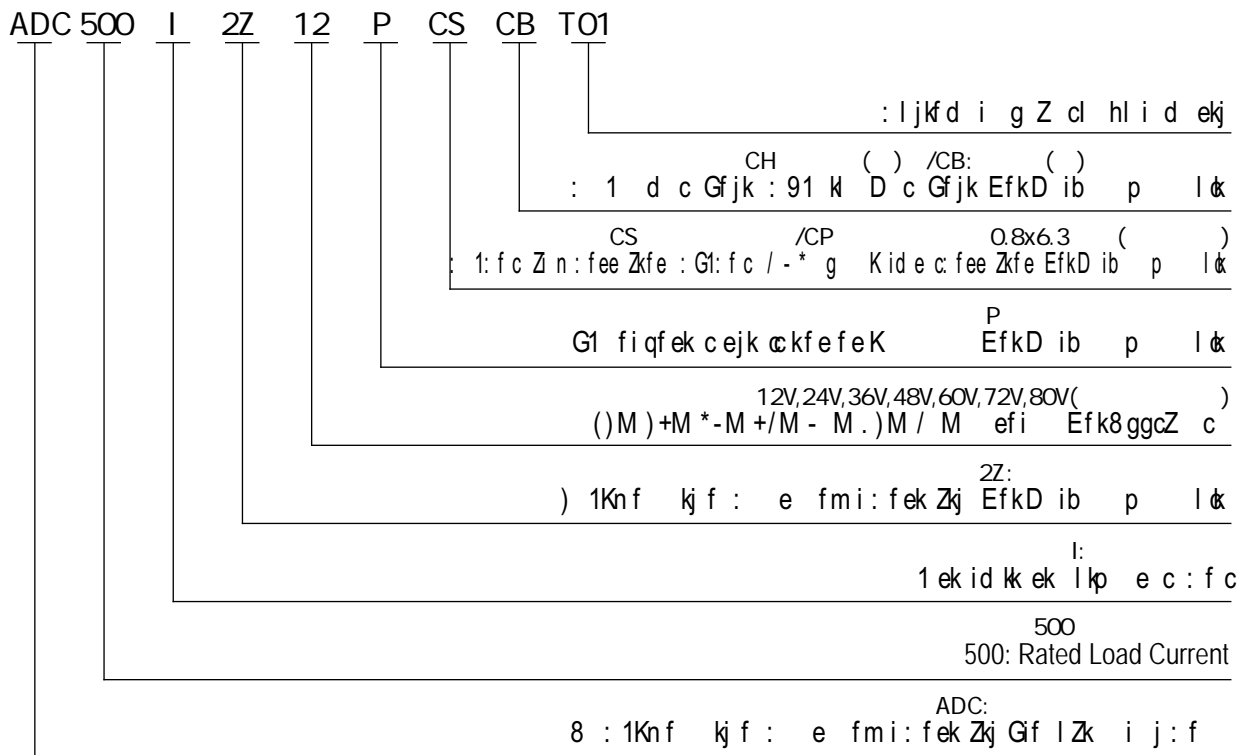




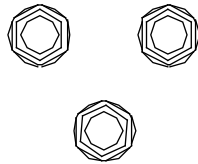
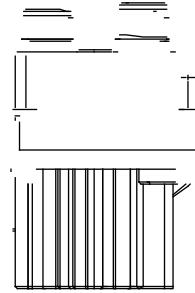
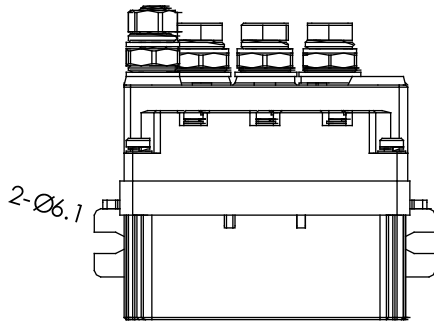
1. 500A ;  
Intermittent 500A load.
2. ;  
It has two sets of normally open and two sets of normally closed contacts.

# ADC500I

Input Voltage	Supply Voltage	Load Regulation	Coil Resistance	Coil Power Consumption
12V	70% U <sub>s</sub>	5% -40% U <sub>s</sub>	6 ± 10%	24W± 10%
24V	70% U <sub>s</sub>	5% -40% U <sub>s</sub>	24 ± 10%	24W± 10%
36V	70% U <sub>s</sub>	5% -40% U <sub>s</sub>	54 ± 10%	24W± 10%
48V	70% U <sub>s</sub>	5% -40% U <sub>s</sub>	96 ± 10%	24W± 10%
60V	70% U <sub>s</sub>	5% -40% U <sub>s</sub>	150 ± 10%	24W± 10%
72V	70% U <sub>s</sub>	5% -40% U <sub>s</sub>	216 ± 10%	24W± 10%



ADC500I



4-M8  
Load Wiring 4-M8  
8-10N.m  
Kfihl / ( E d

3-M3  
: f dN i e \* D\*  
0.5-0.8N.m  
Kfihl , /E d

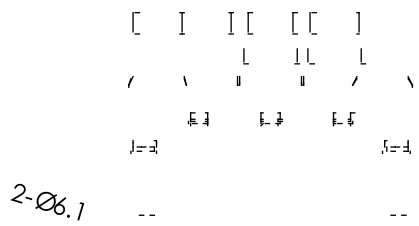
ADC500ICP

2-Ø6.1

4-M8  
Load Wiring 4-M8  
8-10N.m  
Kfihl / ( E d

3-0.8x6.3  
: f dN i e \* / - \*  
Spade Terminal

# ADC500ICB



4-M8  
Load Wiring 4-M8  
8-10N.m  
Kfihl / ( E d

3-M3  
: f dN i e \* D\*  
0.5-0.8N.m  
Kfihl , / E d

# ADC500ICPCB

2-Ø6.1

4-M8  
Load Wiring 4-M8  
8-10N.m  
Kfihl / ( E d

3-0.8x6.3  
: f dN i e \* / - \*  
Spade Terminal

4-M8

3-0.8x6.3  
: f dN i e \* / - \*  
Spade Terminal

1.

K j fZ d ek j f e p fi Z j k d ij c Z k fe i i e Z 8FB8 j k k j k f e j l i k Z i Z p f k e f i d k f e  
ek j f Z d ek G f l Z k j g Z Z k f e j e g i d k i j d p Z e l k f g i f l Z k d g i f m d ek k Z k p d p  
e Z f e j j k ek Z l j f e f k l g k e k d f i k j g Z Z g i d k i j e g i f i d e Z f Z g i f l Z k g c j i i k f  
k j d g c j g i f m p 8FB8 e k Z f i i j g f e e j e e Z e k f e c j g Z Z k f e

2.

I i e k g g c Z k f e f k j g i f l Z k g c j j c Z k k d k Z e g i f l Z k Z Z i e k f p l i j g Z Z l j Z f e k f e j e  
emifed ek ci h l i d ek j n e j c Z k e k g i f l Z k k i h l i d ek j i e f k Z c i p j g Z g c j Z f e k Z 8FB8  
to obtain more technical support.

3.

N e e j k e e l j e k j g i f l Z k i i c j j f n i e f i o e j k e k f e k j i h l i k f l j e k f f j j g i e n j i j

4.

K k f i h l f i e j k e e j k e i j j f l c n k e k j k e i i e i h l i p k j j g Z Z k f e k d p Z l j k l e j k  
c e j k e k f e f i d e k g i f l Z k k k f i h l j e n i k e k d e d l d k f i h l f i i k e k d o d l d k f i h l

5.

f e f k e j k e k Z f e k Z f i e g c Z j n k j k f e d e k Z c j j l Z j k e j f i d i j f i j k f e d e k j f i Z f j k f a Z k j  
with thermal radiation. It is recommended to use it with a cooling fan.

6.

30cm

k j f i e k f l j k g i f l Z k k m e i f g g i f d g c Z k \* Z d

7.

k j f i e k f l j k g i f l Z k e e e m i f e d e k n k f c g f e k f e j g Z e f i n i e k n e j i f l j e Z k k d e  
k i d e g Z f e l Z k m p k p i g f e k p f c g f e k f e e Z k k g i f l Z k

8.

k j f i e k f l j k g i f l Z k p f e k i k c Z i Z c c N e k i k c Z i Z c c j i Z e f l k g i f l Z k  
Z e Z f e k e l k f n f i b k i j i j b f e i o g f j f e e l i e e Z l j f e f e i b e

9.

K j g i f l Z k Z e e f k l j j g i f k Z f i e k Z i Z k d l j k Z f e e Z k n k g i f k Z f i e j i j n e l j e

10.

8FB8 f e p f j k i j j k m c Z i Z c c m i Z k f e e h l d p j j l i e Z N e k g i f l Z k j l j e e e m i f e d e k  
n k e l Z k m e f i Z g Z k m e f k j i Z f d d e k k k Z i Z k j f l c Z f e e Z k e g i e a n k j l i g i f k Z  
tion device.

11.

8 k i Z f e k e l f l j n f i b i j k i k e d d k e k i j Z f e e Z k f e n e Z k k g l e e n f e Z l j k g i f l Z k j e f k  
j k k e k g l e e n f e n e Z j n Z j i j f e c g e f d e f e

12.

It is strictly prohibited to wiring when power on.