



Features

1. 80A ;
Intermittent 80A load.
2. ;
It has one set of normally open contacts.
3. 24W;
Coil power consumption $\leq 24W$.
4. 100M (1000VDC) ; 3.5kV;
The insulation resistance reaches 100M Ω (1000VDC), and the withstand voltage between the contacts and the coil is 3.5kV.
5. IP ;IP67;
IP protection level: IP67.
6. IEC 60664-1 GB/T14048.1 GB/T14048.4 ;
Compliant with IEC 60664-1, GB/T14048.1 and GB/T14048.4 requirements.
7. RoHS 2015/863/EU REACH 1907/2006/EC ;
Compliant with RoHS (2015/863/EC) and REACH (1907/2006/EC) requirements.
8. CE RoHS
Safety certificate: CE, RoHS.

at23

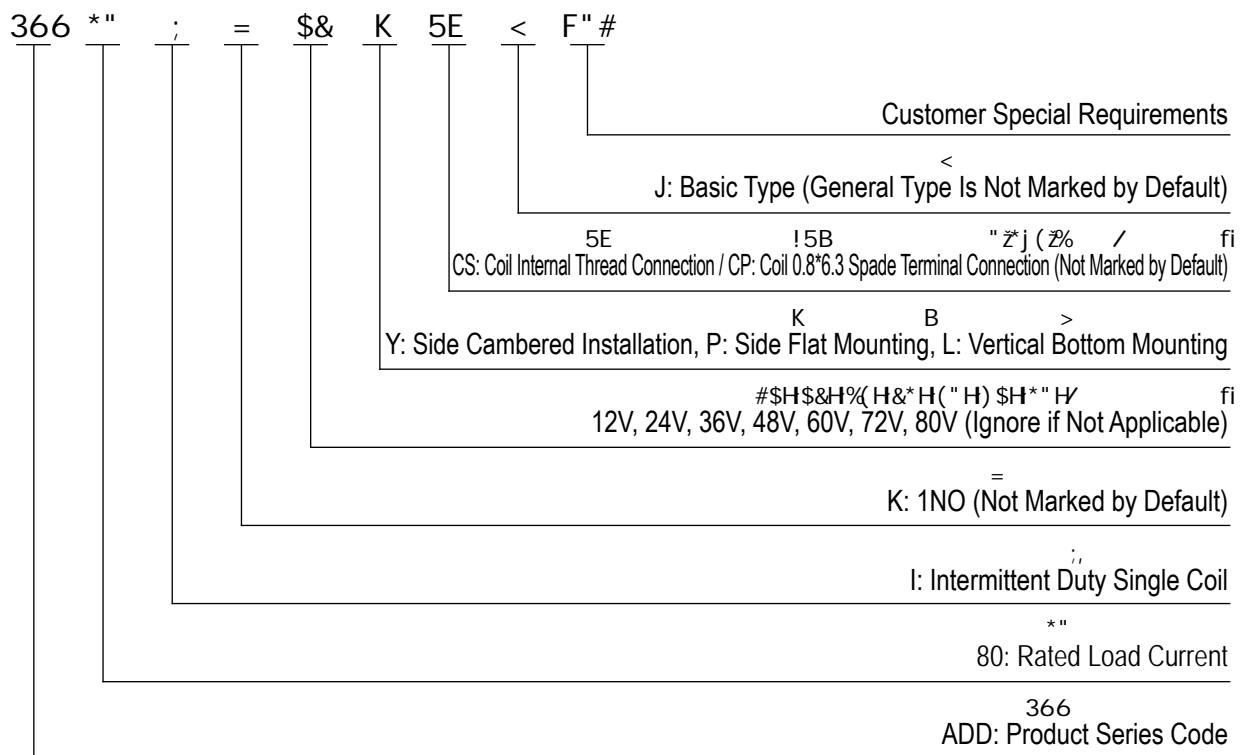
Performance Parameters at23

Contact Arrangement	1K (1NO)	Pickup Voltage	70% U _s
Contact Resistance	5m	Dropout Voltage	5% -40% U _s
Contact Voltage Drop	80mV (at 40A)	Contact Bounce Period	5ms
Overload Current	7I _e , 1s	Pickup Time	30ms
Temperature	-40 ~85	Dropout Time	30ms
Load Terminal	M6 M6 External Thread	Dielectric Strength	Between Main Contacts 50Hz/60Hz 1500VAC/1min
Vibration	3.5g, 10~200Hz, 1/2 3.5g, 10~200Hz, 1/2 Sine Wave (Power On)		Between Main Contacts and Coil 50Hz/60Hz 1500VAC/1min
Relative Humidity	5 ~95 RH	Insulation Resistance	Initial State 100M 1min
Dimension	56x54x64mm		After Electrical Life 50M 1min
Operating Duty	Intermittent	Shock	Stability 20g 20g (Power On)
Electrical Durability with Load (Resistive)	20000 (48V/80A) $\geq 20,000$ Times(48V/80A)		Strength 50g
Load Wiring Torque	6-8N.m	Mechanical Durability	100000 $\geq 100,000$ Times
/	/	Coil Wiring Torque	0.8-1.2N.m

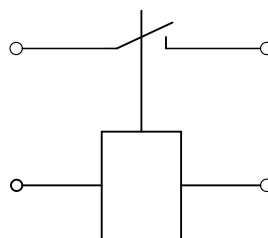
ADC80I ADC80I Coil Parameters

Coil Voltage	Pull-In Voltage	Drop-Out Voltage	Coil Resistance	Coil Power Consumption
12V	70% U _s	5% -40% U _s	6 ± 10%	24W± 10%
24V	70% U _s	5% -40% U _s	24 ± 10%	24W± 10%
36V	70% U _s	5% -40% U _s	54 ± 10%	24W± 10%
48V	70% U _s	5% -40% U _s	96 ± 10%	24W± 10%
60V	70% U _s	5% -40% U _s	150 ± 10%	24W± 10%
72V	70% U _s	5% -40% U _s	216 ± 10%	24W± 10%

Model Coding



Wiring Diagram



A1,A2
A1&A2 Main Terminals

1,2
1&2 Coil Terminals

ADD80I
ADD80I Wiring Diagram

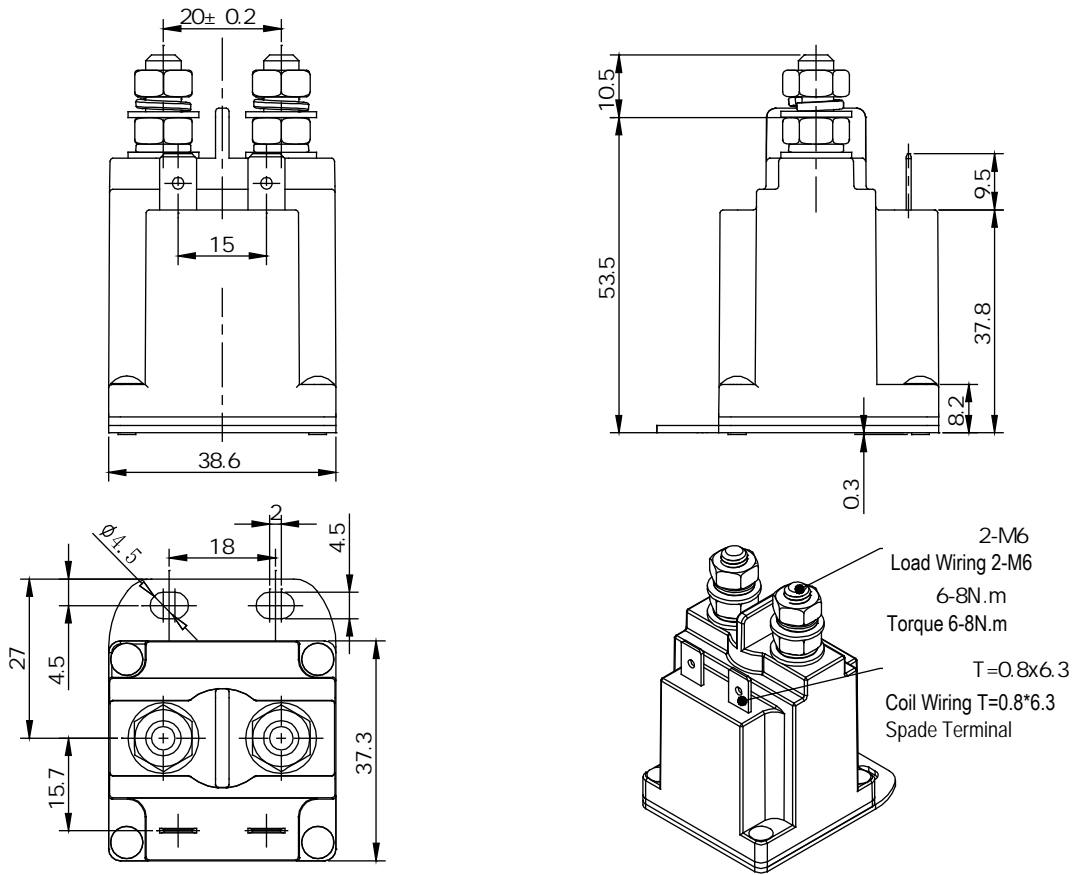
Outline Installation Dimension Drawing

2-M6
Load Wiring 2-M6
6-8N.m
Torque 6-8N.m

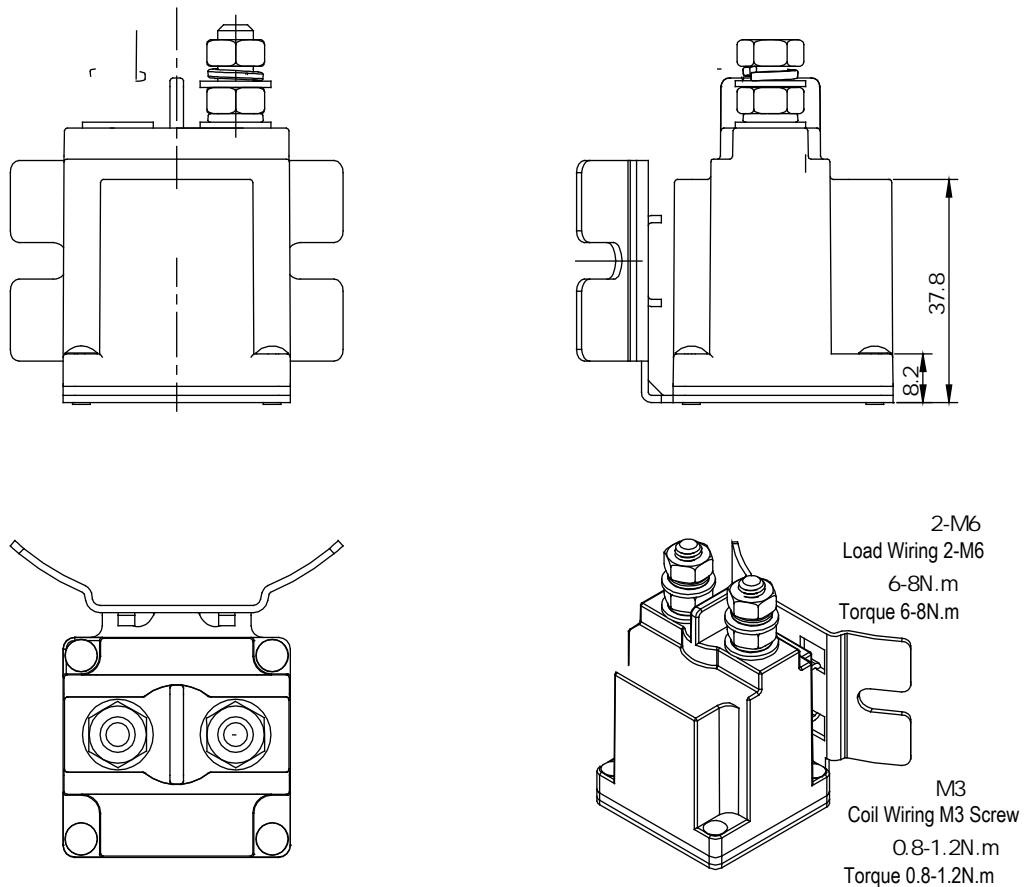
T=0.8x6.3
Coil Wiring T=0.8*6.3

Outline Installation Dimension Drawing

ADD80IL ADD80ILJ



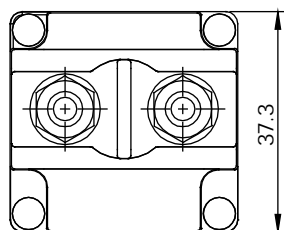
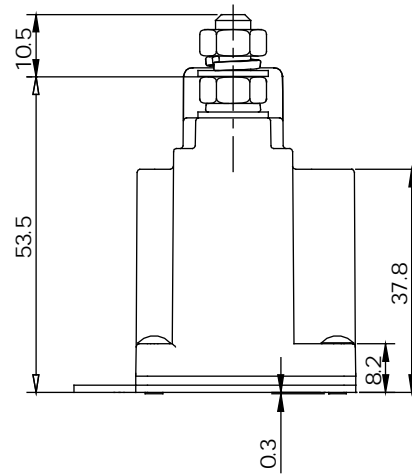
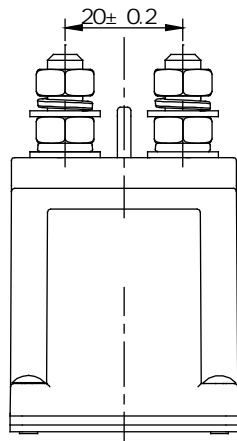
ADD80IYCS ADD80IYCSJ



Outline Installation Dimension Drawing

ADD80IPCS ADD80IPCSJ

ADD80ILCS ADD80ILCSJ



2-M6
Load Wiring 2-M6
6-8N.m
Torque 6-8N.m

M3
Coil Wiring M3 Screw
0.8-1.2N.m
Torque 0.8-1.2N.m

Usage Cautions