

- 1 200A ;
- 2 ;
- 3 24W;
- 4 100M (1000VDC) 2kV;
- 5 IP :IP67;
- 6 IEC 60664-1 GB/T14048.1 GB/T14048.4 ;
- 7 RoHs 2015/863/EU REACH 1907/2006/EC ;
- 8 CE;

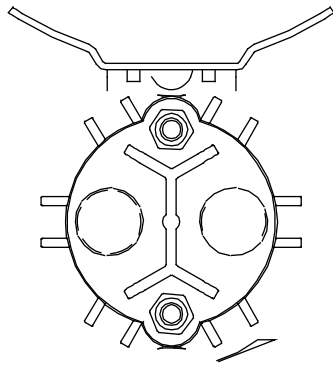
at23

1K 1NO	70% Us
5m	5% -40% Us
80mV at 150A	5ms
50M	30ms
7le, 1s	30ms
-40 ~55	50Hz/60Hz 1500VAC/1min
M8	50Hz/60Hz 1500VAC/1min
3.5g,10-200Hz,1/2	100M 1min
5 ~95 RH	50M 1min
76.8mm*70.6mm*68.5mm	20g
() a	50g
50000 24V/300A	500000
8-10N.m	2-3N.m


ADD 200IJ

12V	70% Us	5% -40% Us	6 ± 10%	24W± 10%
24V	70% Us	5% -40% Us	24 ± 10%	24W± 10%
36V	70% Us	5% -40% Us	54 ± 10%	24W± 10%
48V	70% Us	5% -40% Us	96 ± 10%	24W± 10%
60V	70% Us	5% -40% Us	150 ± 10%	24W± 10%
72V	70% Us	5% -40% Us	216 ± 10%	24W± 10%

ADD200IYJ



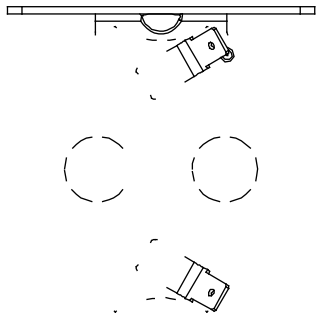
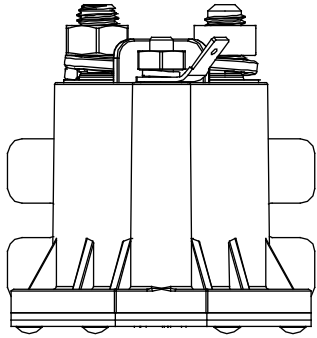
ADD200IPJ



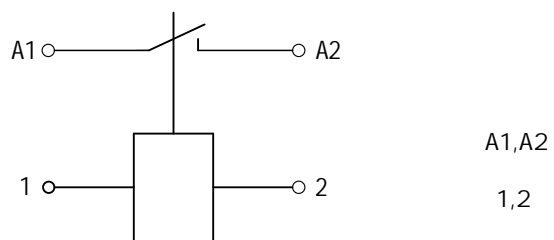
ADD200ILJ

ADD200IYCPJ

ADD200IPCPJ



ADD200ILCPJ



ADD250I

1

2

3

4

5

6

30cm

7

8

9

10

11

12