



1. 250A ;
Intermittent 250A load.
2. ;
It has one set of normally open contacts.
3. 24I ;
4. 100? (1000HDC) 2] H;
5. IB :IB67;
IP protection level: IP67.
6. IEC 60664-1 GB/F14048.1 GB/F14048.4 ;
7. DaHe 2015/863/EG DEACH 1907/2006/EC ;
8. CE DaHE

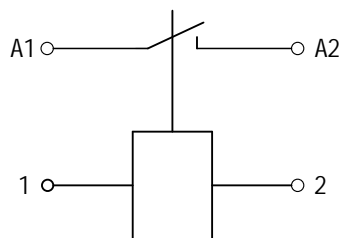
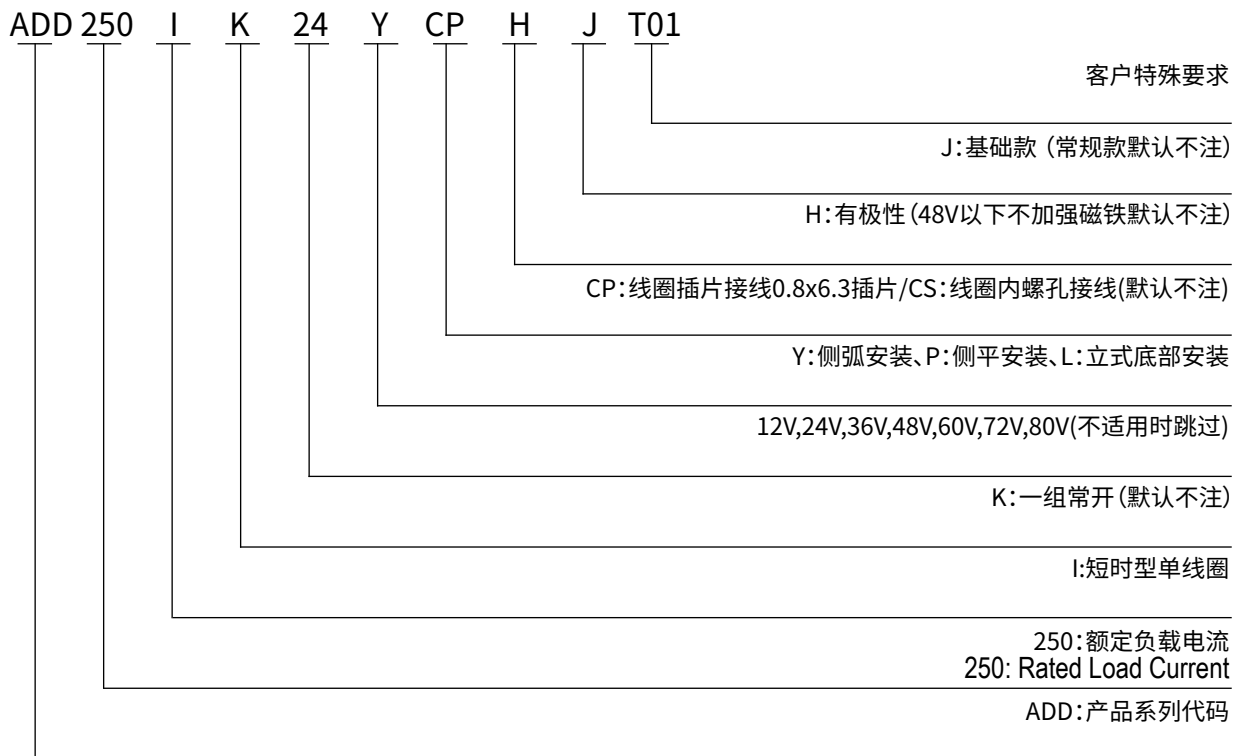
at23

at23

Contact Arrangement	1K (1@A)		70% Ge
Contact Resistance	5_		5% -40% Ge
	80_ H (Sf 150A)		5_ e
Overload Current	7W 1e	Pickup Time	30_ e
Temperature	-40 p55		30_ e
Load Terminal	? 8		50HI /60HI 1500HAC/1_ [
	3.5Y,10p200HI ,1/2		50HI /60HI 1500HAC/1_ [
Relative Humidity	5 p95 DH	Insulation Resistance	Initial State 100? 1_ [
	76.8j 70.6j 68.5_ _		After Electrical Life 50? 1_ [
	Intermittent	Shock	Stability 20Y
()	50000 (24H/300A)		Strength 50Y
	8-10@_		500000
/	/		2-3@_

ADD250IJ

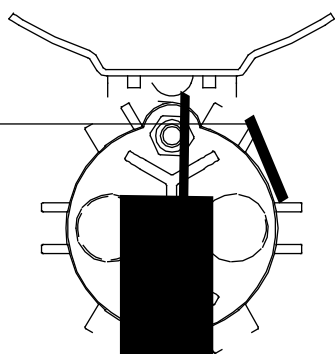
			Coil Resistance	Coil Power Consumption
12H	70% Ge	5% -40% Ge	6 <i>f</i> 10%	24I <i>f</i> 10%
24H	70% Ge	5% -40% Ge	24 <i>f</i> 10%	24I <i>f</i> 10%
36H	70% Ge	5% -40% Ge	54 <i>f</i> 10%	24I <i>f</i> 10%
48H	70% Ge	5% -40% Ge	96 <i>f</i> 10%	24I <i>f</i> 10%
60H	70% Ge	5% -40% Ge	150 <i>f</i> 10%	24I <i>f</i> 10%
72H	70% Ge	5% -40% Ge	216 <i>f</i> 10%	24I <i>f</i> 10%



A1,A2
A1&A2 Main Terminals

1,2
1&2 Coil Terminals

ADD250IJ
ADD250IJ I [d` Y D]SYdS_

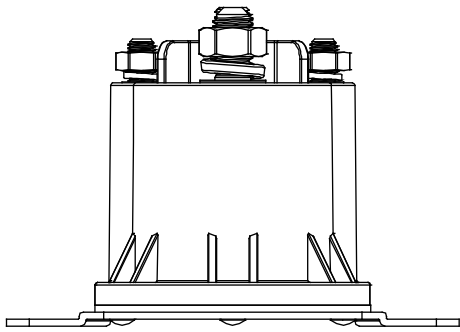


2-? 8
8-10@_

2-? 5
2-3@_

2-? 8
8-10@_

2-? 5
2-3@_

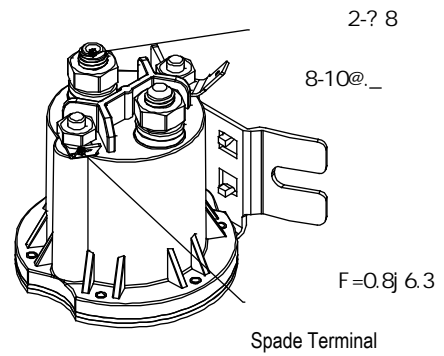
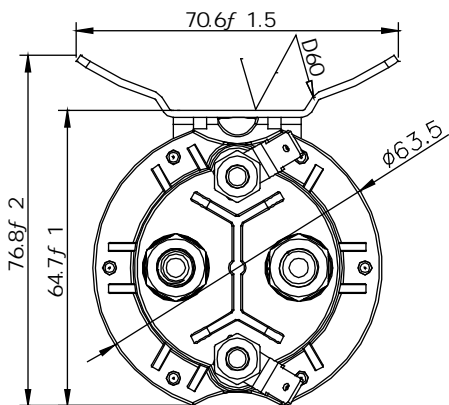
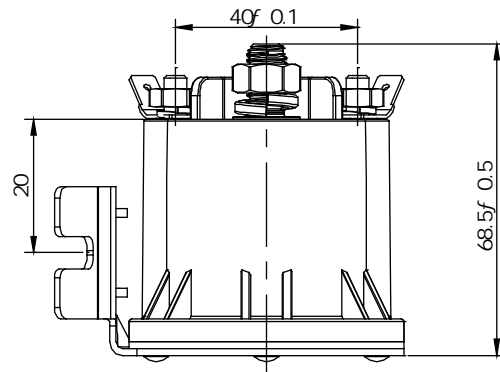
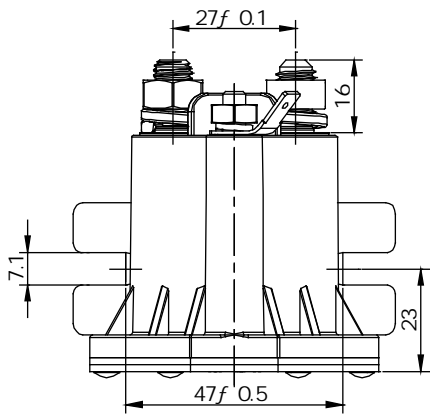


2-? 8

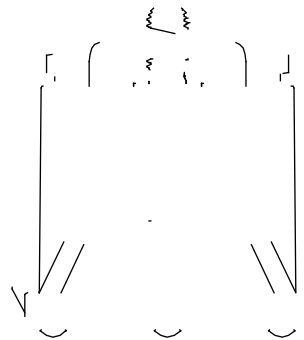
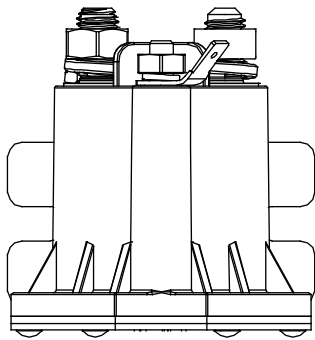
8-10@_

2-? 5

2-3@_

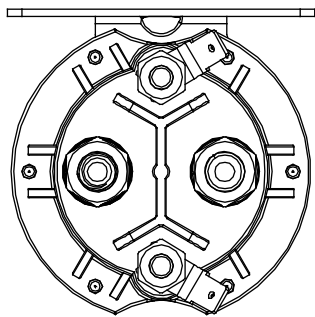


Spade Terminal



2-7 8

8-10@_



F=0.8j 6.3

Spade Terminal

2-7 8

8-10@_

F=0.8j 6.3

Spade Terminal



1.

the samples provided by AOKAI and the corresponding signed and controlled specification.

2.

to obtain more technical support.

3.

4.

5.

with thermal radiation. It is recommended to use it with a cooling fan.

6. 30U_

7.

8.

9.

10.

tion device.

11.

12.

It is strictly prohibited to wiring when power on.