

#ž ' " " 3 -
Intermittent 500A load.

\$ž -
It has one set of normally open contacts.

%ž +l -
Coil power consumption 0.9W.

&ž # " " ? / # " " " H65fi %ž] H-
The insulation resistance reaches 100M_Ω (1000VDC), and the withstand voltage between the contacts and the coil is 3.5kV.

' ž;B ;;B' " -
IP protection level: IP50.

(ž ;75 (" ((&ž# 94! F#&" &*ž# 94! F#&" &*ž& -
Compliant with IEC 60664-1, GB/T14048.1

at23

at23

Contact Arrangement	#= /#@A fi
	' _
	*" _ H/Sf \$" " 3fi
) \W #e
	ž&" p' '
	? *
	%ž Yl#" p\$" " : l l#! \$
	' p+' D:
	**' j' (j* (_ _
	\$" " " " /\$&H%" " 3fi
	(ž#" @ž_
!	!

% _ e

% _ e

' " : l l (" : l #' " " H35! # _ [

' " : l l (" : l #' " " H35! # _ [

" " ? # _ [

' " ? # _ [

' " γ

ADD500I

Coil Voltage	Pull-In Voltage	Drop-Out Voltage	Coil Resistance	Coil Power Consumption
#H)". Ge	' . Z&" . Ge	#(f #"	+l f #"
\$&H)". Ge	' . Z&" . Ge	(% f #"	+l f #"
%H)". Ge	' . Z&" . Ge	#&& f #"	+l f #"
&*H)". Ge	' . Z&" . Ge	\$(f #"	+l f #"
("H)". Ge	' . Z&" . Ge	&" f #"	+l f #"
)\$H)". Ge	' . Z&" . Ge	')(f #"	+l f #"

ADD 500 I K 24 Y T01

客户特殊要求
Customer Special Requirements

Y: 侧弧安装、P: 侧平安装
Y: Side Cambered Installation, P: Side Flat Mounting

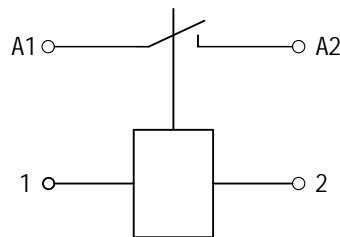
12V, 24V, 36V, 48V, 60V, 72V, 80V (不适用时跳过)
12V, 24V, 36V, 48V, 60V, 72V, 80V (Ignore if Not Applicable)

K: 一组常开 (默认不注)
K: 1NO (Not Marked by Default)

I: 短时型单线圈
I: Intermittent Duty Single Coil

500: 额定负载电流
500: Rated Load Current

ADD: 产品系列代码
ADD: Product Series Code



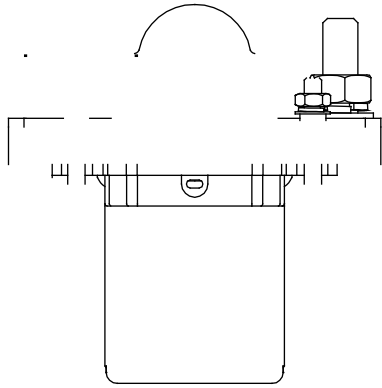
3#13\$
A1&A2 Main Terminals

#1\$
1&2 Coil Terminals

ADD500I

366' " " ; l [d' Y 6[SYdS_

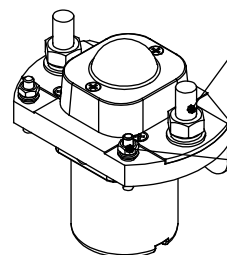
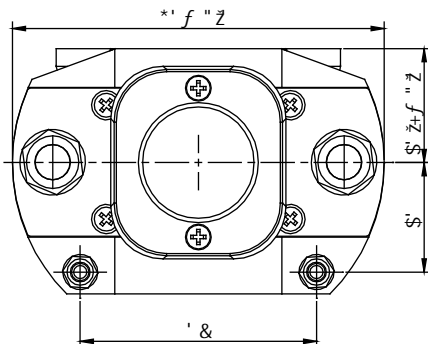
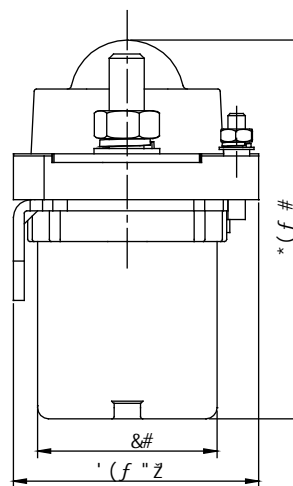
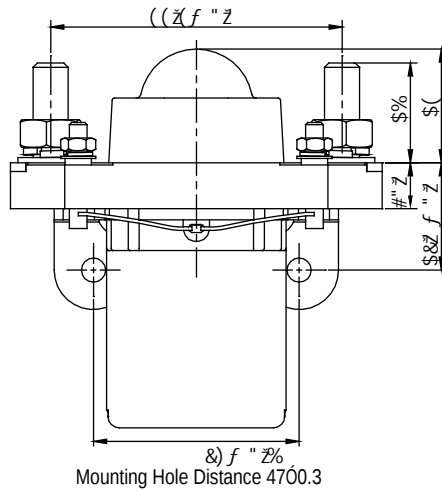
ADD5001Y



\$Z? *
Load Wiring 2-M8
(Ž# @ž_ #Sž @ž_ ? Sj
Torque 6-10N.m 12.0N.m Max

\$Z? &
Load Wiring 2-M4
#SžS@ž_ \$ž @ž_ ? Sj
Torque 1.2-2N.m 2.0N.m Max

ADD5001P



\$Z? *
Load Wiring 2-M8
(Ž# @ž_ #Sž @ž_ ? Sj
Torque 6-10N.m 12.0N.m Max

\$Z? &
Load Wiring 2-M4
#SžS@ž_ \$ž @ž_ ? Sj
Torque 1.2-2N.m 2.0N.m Max

#ž

This document is only for customer selection reference, AOKAI has tried the best to ensure the accuracy of the information in this document. Product specifications and parameters may be changed due to product improvement etc., they may be inconsistent because of not updated in time. For the specific parameters and performance of each product, please refer to the samples provided by AOKAI and the corresponding signed and controlled specification.

\$ž

Regarding the application of this product, please select the matching product according to your specific use conditions and environmental requirements when selecting the product. If the requirements are not clearly specified, please contact AOKAI to obtain more technical support.

%ž

When installing and using this product, regardless of wiring or fixed installation, it is required to use anti-loose spring washers.

&ž

The torque for installing fasteners should be within the standard range required by this specification. It may cause the unstable installation or damaging the product if the torque is lower than the minimum torque or higher than the maximum torque.

' ž

Do not install the contactor in places with strong magnetic fields (such as transformers or strong magnets), or close to objects with thermal radiation. It is recommended to use it with a cooling fan.

(ž % U_

It is forbidden to use the product that have been dropped from a high place (height 0.30m).

) ž

It is forbidden to use the product in an environment with oil pollution, especially before wiring, it will seriously affect the main terminals conductivity if they are polluted by oil pollution, and affect the product life.

* ž

It is forbidden to use the product beyond the rated electrical life. When the rated electrical life is reached, although the product can continue to work, there is a risk of failure, explosion, and burning because of non-breaking.

+ž

This product cannot be used as a protector, and the circuit must be connected with a protector in series when using.

#" ž

AOKAI only does the resistive electrical life verification and quality assurance. When the product is used in an environment with inductive load or capacitive load, it is recommended that the circuit should be connected in parallel with a surge protection device.

##ž

After continuous work, restarting immediately after disconnection will affect the pull-in voltage because the product is in a hot state, and the pull-in voltage will increase, which is a reasonable phenomenon.

#\$ž

It is strictly prohibited to wiring when power on.