

### Features

1. 600A ;  
Continuous 600A load.
2. ;  
It has one set of normally open contacts.

### Performance Parameters at23

Contact Arrangement	1K (1NO)	
	0.5m	
	80mV (at 600A)	
	6le, 1s	50ms
	-40 ~85	45ms
	M12	50Hz/60Hz 1500VAC/1min
	3.5g,10~200Hz,1/2	50Hz/60Hz 1500VAC/1min
	5 ~95 RH	100M 1min
	130x80x117mm	50M 1min
	20000	5g
	15-20N.m	
/	/	

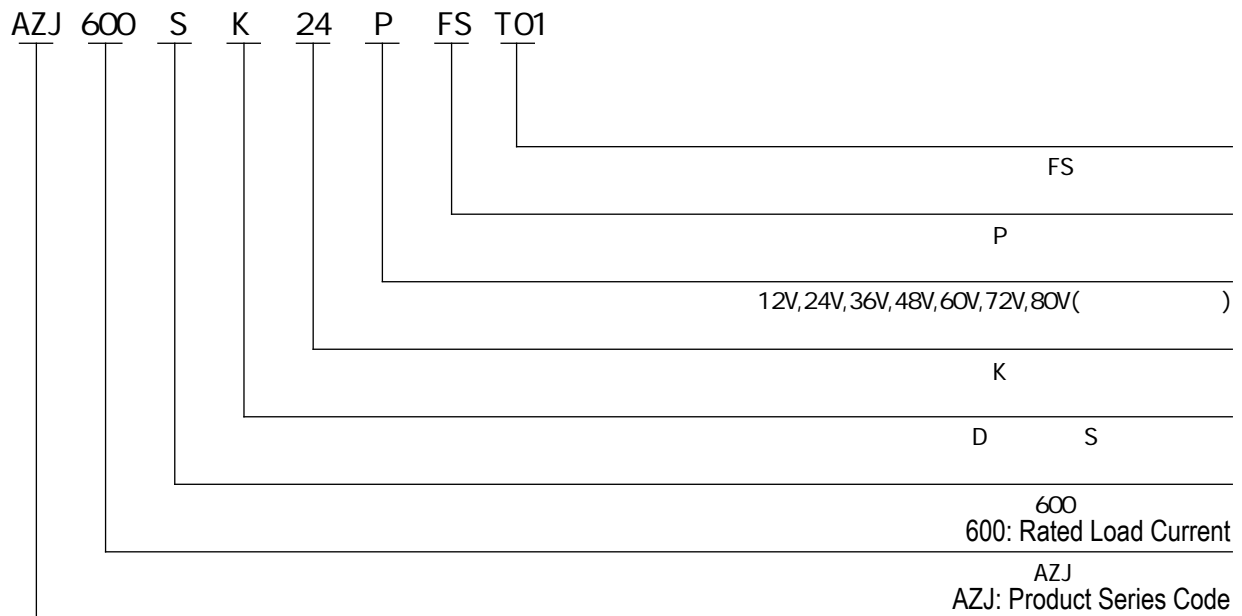
## AZJ 600S AZJ600S Coil Parameters

			Coil Resistance	Coil Power Consumption
12V	70% Us	5% -40% Us	13 ± 10%	11W± 10%
24V	70% Us	5% -40% Us	52.5 ± 10%	11W± 10%
36V	70% Us	5% -40% Us	118 ± 10%	11W± 10%
48V	70% Us	5% -40% Us	210 ± 10%	11W± 10%
60V	70% Us	5% -40% Us	327 ± 10%	11W± 10%
72V	70% Us	5% -40% Us	470 ± 10%	11W± 10%

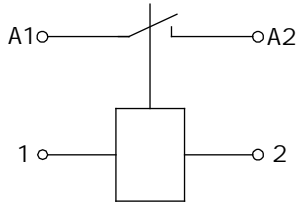
## AZJ 600D AZJ600D Coil Parameters

			Coil Resistance		Starting Power	Holding Power
			Starting	Holding		
12V	70% Us	5% -40% Us	1.9 ± 10%	24 ± 10%	75W± 10%	6W± 10%
24V	70% Us	5% -40% Us	7.5 ± 10%	96 ± 10%	75W± 10%	6W± 10%
36V	70% Us	5% -40% Us	17.5 ± 10%	216 ± 10%	75W± 10%	6W± 10%
48V	70% Us	5% -40% Us	31 ± 10%	384 ± 10%	75W± 10%	6W± 10%
60V	70% Us	5% -40% Us	48 ± 10%	400 ± 10%	75W± 10%	6W± 10%
72V	70% Us	5% -40% Us	68 ± 10%	860 ± 10%	75W± 10%	6W± 10%

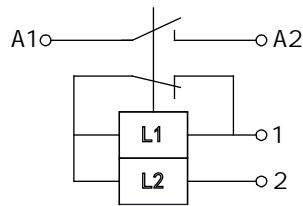
## Model Coding



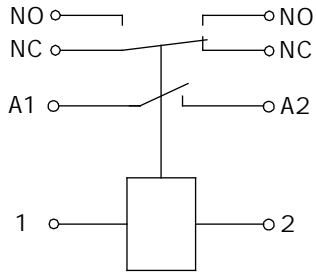
## Wiring Diagram



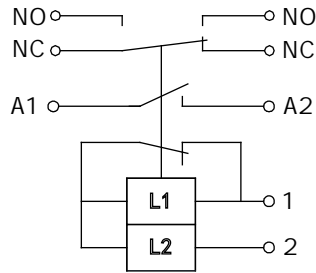
AZJ600S( )  
AZJ600S Wiring Diagram  
Without Auxiliary Switch



AZJ600D( )  
AZJ600D Wiring Diagram  
Without Auxiliary Switch



AZJ600S( )  
AZJ600S Wiring Diagram  
with Auxiliary Switch



AZJ600D( )  
AZJ600D Wiring Diagram  
with Auxiliary Switch

NC  
NC Auxiliary Switch Normally  
Closed Contact

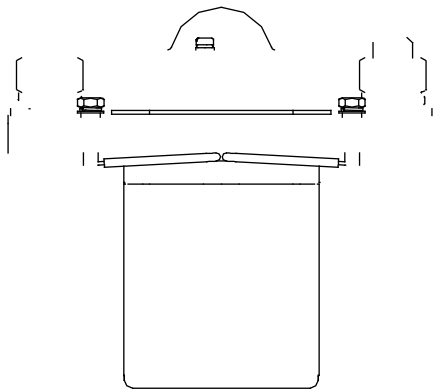
NO  
NO Auxiliary Switch Normally  
Open Contact

A1,A2  
A1, A2 Main Terminal Wiring

1,2                    12-72V  
1, 2 Coil Wiring 12-72V

## Outline Installation Dimension Drawing

Without Auxiliary Switch



2-M12

15-20N.m

2-M4

1.2-2N.m 2.0N.m Max

## Outline Installation Dimension Drawing

## Usage Cautions

1.

the samples provided by AOKAI and the corresponding signed and controlled specification.

2.

to obtain more technical support.

3.

4.

5.

with thermal radiation. It is recommended to use it with a cooling fan.

6.

30cm

7.

8.

9.

10.

tion device.

11.

12.

It is strictly prohibited to wiring when power on.