

特性

- 1. 600A ;
Continuous 600A load.
- 2. ;
It has one set of normally closed contact.

性能参数 (at23°C)

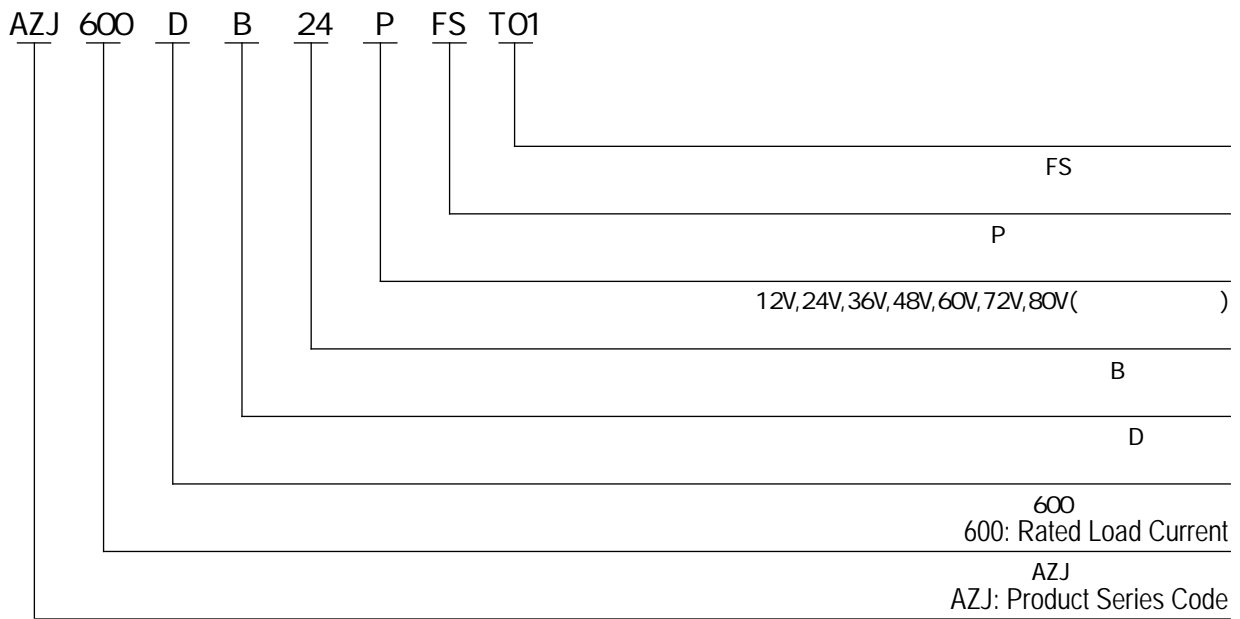
(at23°C)

Contact Arrangement	1B (1NC)	
	0.5m	
	80mV (at 600A)	
	6le, 1s	50ms
	-40 ~85	45ms
	M12	50Hz/60Hz 1500VAC/1min
	3.5g,10~200Hz,1/2	50Hz/60Hz 1500VAC/1min
	5 ~95 RH	100M 1min
	130x80x117mm	50M 1min
	20000	5g
	15-20N.m	
/	/	

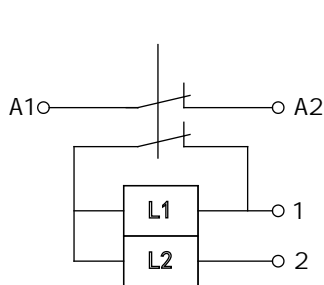
AZJ600DB线圈参数

			Coil Resistance		Starting Power	Holding Power
			Starting	Holding		
12V	70% Us	5% -40% Us	1.3 ± 10%	24 ± 10%	110W± 10%	6W± 10%
24V	70% Us	5% -40% Us	2.9 ± 10%	96 ± 10%	200W± 10%	6W± 10%
36V	70% Us	5% -40% Us	6.5 ± 10%	216 ± 10%	200W± 10%	6W± 10%
48V	70% Us	5% -40% Us	11.5 ± 10%	384 ± 10%	200W± 10%	6W± 10%
60V	70% Us	5% -40% Us	18 ± 10%	600 ± 10%	200W± 10%	6W± 10%
72V	70% Us	5% -40% Us	25.9 ± 10%	860 ± 10%	200W± 10%	6W± 10%

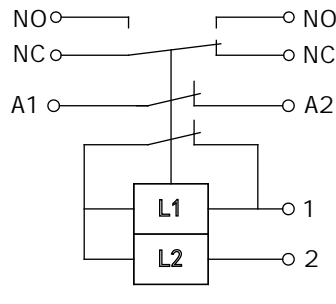
型号说明



接线原理图



Wiring Diagram Without Auxiliary Switch



Wiring Diagram with Auxiliary Switch

NC
NC Auxiliary Switch Normally Closed Contact

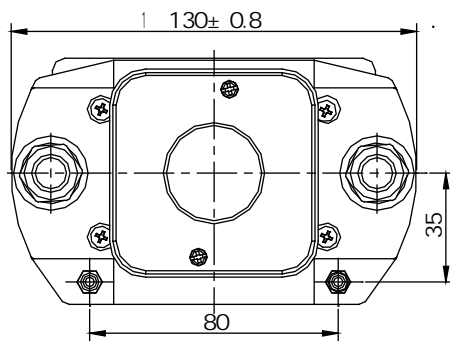
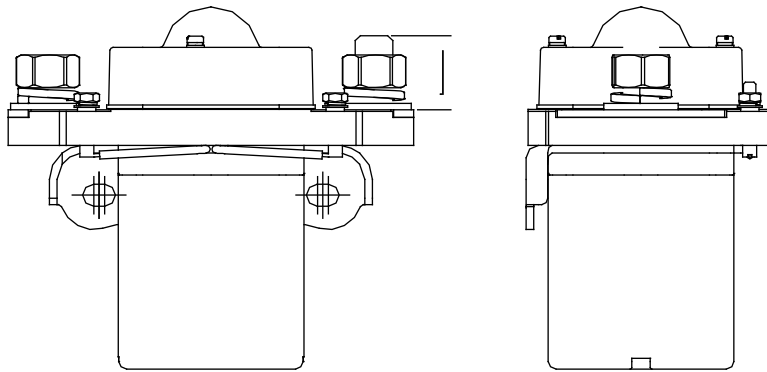
NO
NO Auxiliary Switch Normally Open Contact

A1,A2
A1, A2 Main Terminal Wiring

1,2 12-72V
1, 2 Coil Wiring 12-72V

外形安装尺寸图

Without Auxiliary Switch



2-M12
15-20N.m
2-M4
1.2-2N.m 2.0N.m Max

With Auxiliary Switch

1.

2.

to obtain more technical support.

3.

4.

5.

with thermal radiation. It is recommended to use it with a cooling fan.

6. 30cm

7.

8.

9.

10.

tion device.

11.

12.

It is strictly prohibited to wiring when power on.