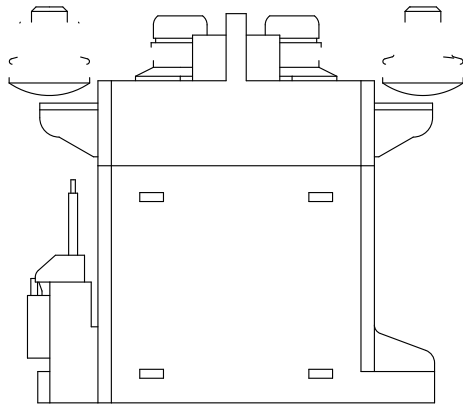


1. IP67 ;
Using ceramic brazing technology, the contact part is filled with mainly hydrogen gas to effectively prevent contact oxidation and burnout. The contact resistance is low and stable, and the contact part can meet the IP67 protection grade.
2. 200A 85 ;
200A 85°C long time current carrying capacity.
3. 100M 1000VDC 4kV;
4. IEC 60664-1 GB/T14048.1 GB/T14048.4 ;
Compliant with IEC 60664-1, GB/T14048.1 and GB/T14048.4 requirements.
5. RoHS 2015/863/EU REACH 1907/2006/EC ;
6. CE RoHS
Safety certificate: CE, RoHS.

at 23

(at 23)

Contact Arrangement	1K (1NO)		75%Us
Contact Polarity	Polarity		8%Us
Contact Resistance	0.5m (at 200A)		30ms
	750VDC		5ms
Max. Breaking Current	2000A (320VDC) 1 (Ops)		10ms
Electrical Endurance	6,000 (Ops) (450VDC, 200A)		3,000VDC 1min
	1,000 (Ops) (750VDC, 200A)		2,500VDC 1min
Mechanical Endurance	200,000 (Ops)		100M 1min
Withstand Current	200A 200A, Continuous		50M 1min
	300A, 60min		
	400A, 20min		50g
	800A, 30S		
	2,000A, 0.6S		
	105x45x88.5mm		



1.

in this document. Product specifications and parameters may be changed due to product improvement etc., they may be inconsistent because of not updated in time. For the specific parameters and performance of each product, please refer to

2.

Regarding the application of this product, please select the matching product according to your specific use conditions and to obtain more technical support.

3.

When installing and using this product, regardless of wiring or fixed installation, it is required to use anti-loose spring washers.

4.

The torque for installing fasteners should be within the standard range required by this specification. It may cause the unstable installation or damaging the product if the torque is lower than the minimum torque or higher than the maximum torque.

5.

with thermal radiation. It is recommended to use it with a cooling fan.

6.

30cm

7.

It is forbidden to use the product in an environment with oil pollution, especially before wiring, it will seriously affect the main terminals conductivity if they are polluted by oil pollution, and affect the product life.

8.

It is forbidden to use the product beyond the rated electrical life. When the rated electrical life is reached, although the product can continue to work, there is a risk of failure, explosion, and burning because of non-breaking.

9.

This product cannot be used as a protector, and the circuit must be connected with a protector in series when using.

10.

with inductive load or capacitive load, it is recommended that the circuit should be connected in parallel with a surge protection device.

11.

After continuous work, restarting immediately after disconnection will affect the pull-in voltage because the product is in a hot state, and the pull-in voltage will increase, which is a reasonable phenomenon.

12.

It is strictly prohibited to wiring when power on.