



1. 400A ;
Continuous 400A load.
2. ;
It has two sets of normally open and two sets of normally closed contacts.
3. 20W;
4. 100M (1000VDC) 1kV;
5. IP :IP40;
IP protection level: IP40.
6. IEC 60664-1 GB/T14048.1 GB/T14048.4 ;
7. RoHS 2015/863/EU REACH 1907/2006/EC ;
8. CE RoHS;

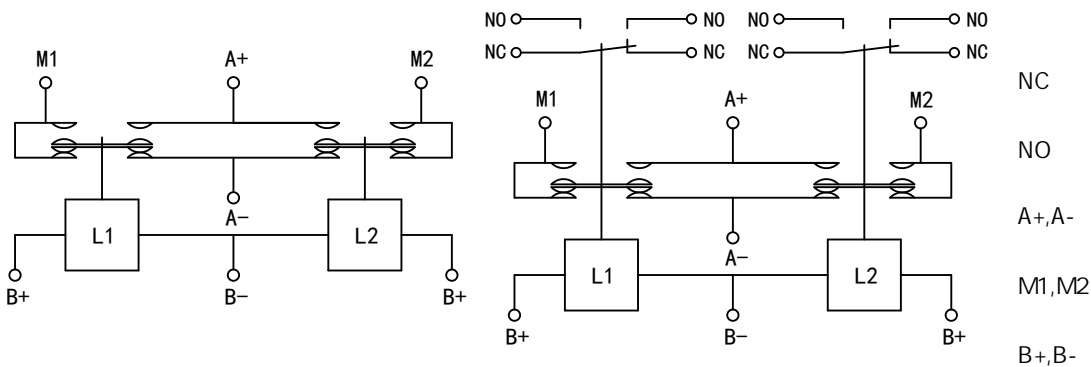
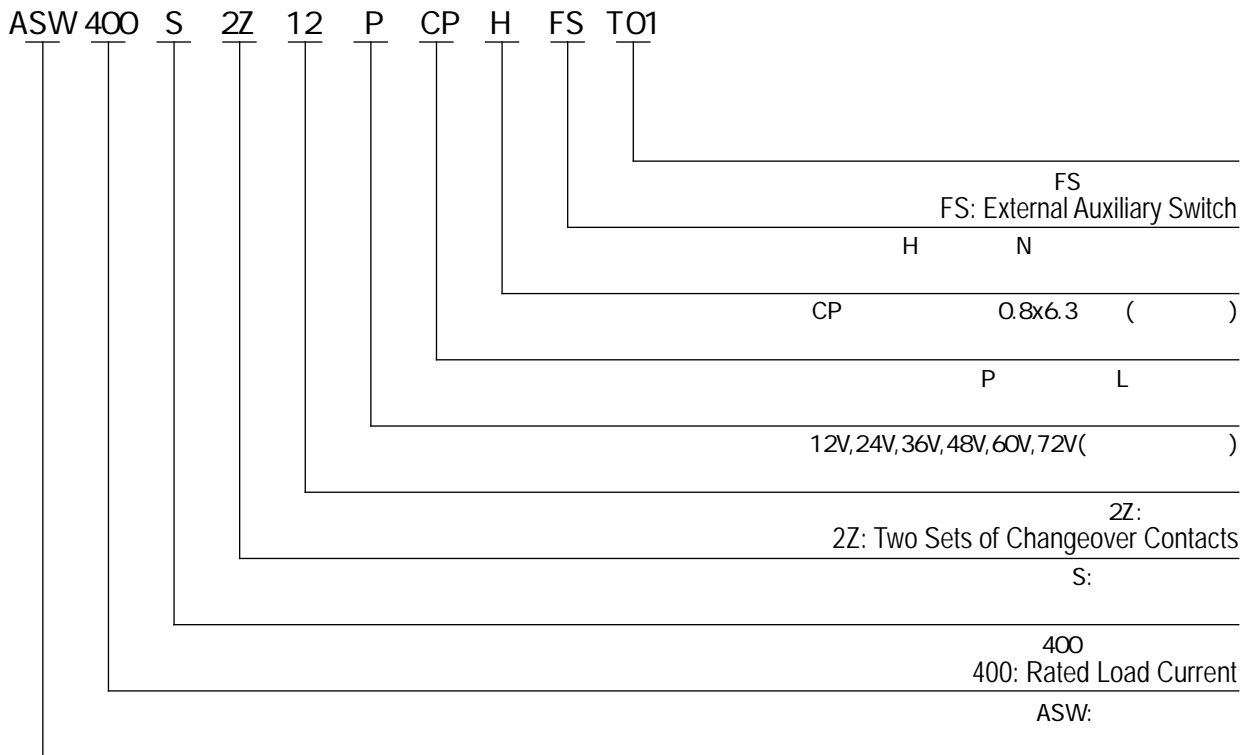
at23

at23

Contact Arrangement	2K (2NO), 2B (2NC)		70% Us
Contact Resistance	0.5m		10% Us
	80mV(at 400A)	Pickup Time	30ms
Overload Current	7Ie, 1s		30ms
Temperature	-40 ~65		50Hz/60Hz 1000VAC/1min
Load Terminal	M10 M10 External Thread		50Hz/60Hz 1000VAC/1min
	3.5g,10~200Hz,1/2	Insulation Resistance	Initial State 100M 1min
Relative Humidity	20 ~90 RH		After Electrical Life 50M 1min
	160.5x72x153mm		(10-200)Hz <3.5g
	Continuous	Shock	(60-100) / <4g
()	6000		100000
	10-13N.m		0.8x6.3

ASW400S2Z

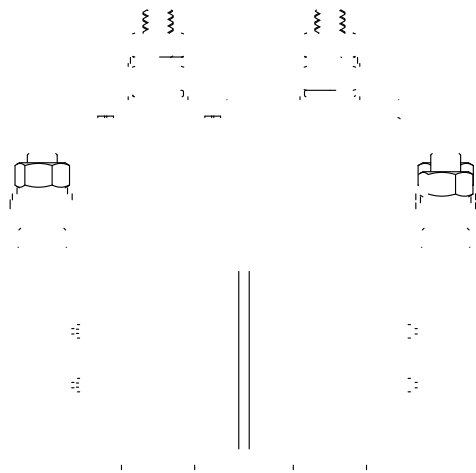
			Holding Current	Coil Power Consumption
12V	70% Us	10% Us	1.5A	20W
24V	70% Us	10% Us	0.7A	20W
36V	70% Us	10% Us	0.5A	20W
48V	70% Us	10% Us	0.35A	20W
60V	70% Us	10% Us	0.3A	20W
72V	70% Us	10% Us	0.25A	20W



Wiring Diagram Without Micro Switch

Wiring Diagram with Micro Switch

ASW400S2Z



ASW400S2ZFS



1.

2.

to obtain more technical support.

3.

4.

5.

with thermal radiation. It is recommended to use it with a cooling fan.

6. 30cm

7.

switching ability will be reduced.

8.

abnormal heating of the coil will affect its service life.

9.

10.

11.

12.

tion device.

13.

14.

It is strictly prohibited to wiring when power on.